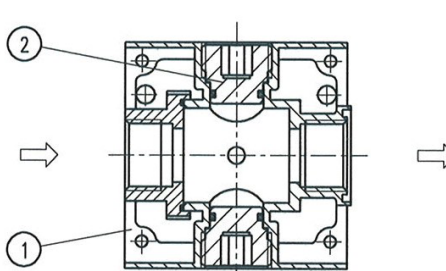


Manifolds – wide design

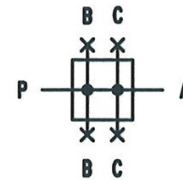
item	type	T 33	T 34
port size		G 1/2	G 3/4
description		air distribution block	
mounting		arbitrary	
supply pressure		max.16 bar	
media and ambient temperature		-10 to 60 °C (oth. temperature ranges available upon request)	
nominal discharge		Qn 11000 l/min (Pe = 6 bar, delta P = 1 bar)	
discharge P-B G 1/2		Q 8750 l/min (Pe = 6 bar, delta P = 1 bar)	
discharge P-C G 1/4		Q 1340 l/min (Pe = 6 bar, delta P = 1 bar)	
fixing		bracket or through 2 holes in the body	
weight		0,682 kg	





replacement parts

no	description	material	order-no.
1	body	zinc - Z 410	---
2	blanking plug	Ms - NBR	7.4033.03.100


series 3

ordering information

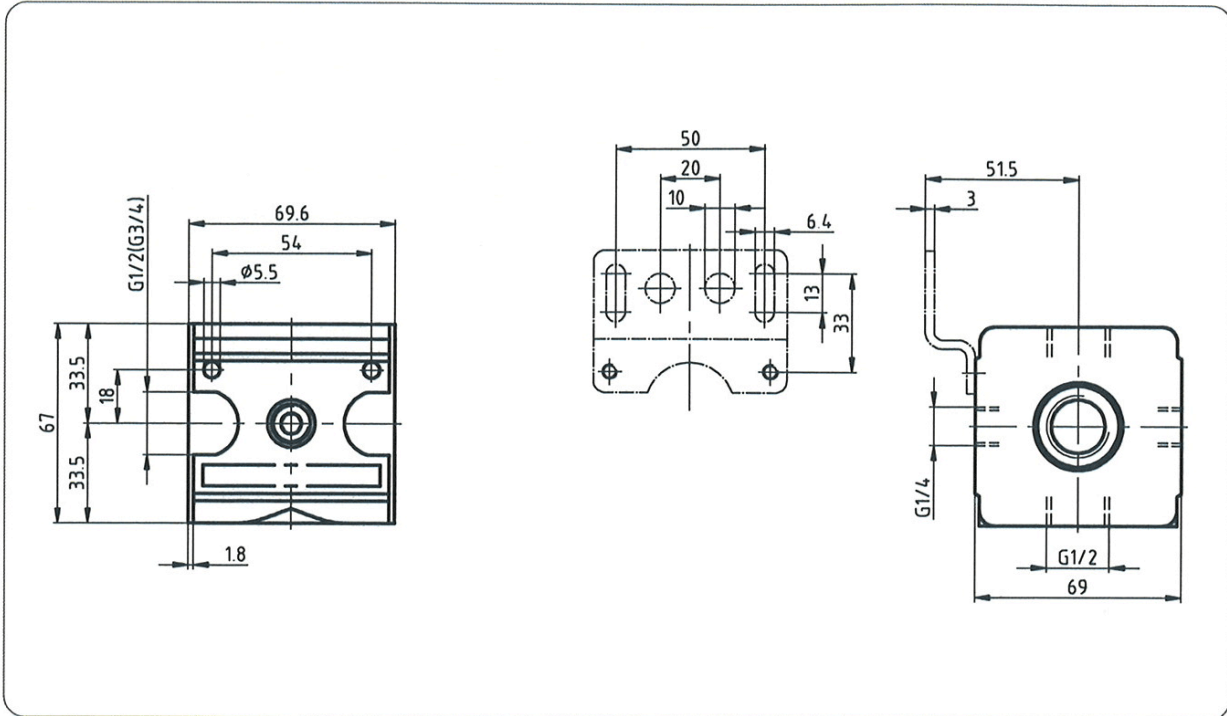
T	**
type <input style="width: 50px;" type="text"/>	<input style="width: 50px;" type="text"/>
[1] port size <input style="width: 50px;" type="text"/>	[2] option <input style="width: 50px;" type="text"/>

ordering example: T 33

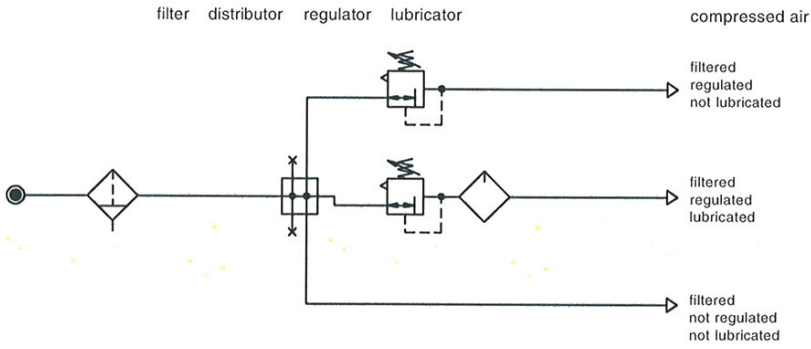
port size	
1	33 G 1/2
	34 G 3/4
options	
2	<input style="width: 100%;" type="text"/>
	<input style="width: 100%;" type="text"/>
	<input style="width: 100%;" type="text"/>
	<input style="width: 100%;" type="text"/>
	<input style="width: 100%;" type="text"/>
	<input style="width: 100%;" type="text"/>
	<input style="width: 100%;" type="text"/>
	<input style="width: 100%;" type="text"/>
	<input style="width: 100%;" type="text"/>
	<input style="width: 100%;" type="text"/>

application information

- easy block assembly for components to be connected in series
- interlocking of several individual devices requires coupling kit(s) KP 33
- interlocking of several individual devices with narrow distributor Z 33 requires coupling kit(s) KP 33 Z

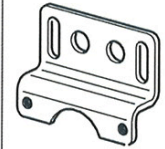


various application



accessories

mounting bracket



type: ZW 33

